



BEAR SMART *Big Sky*

CREATING A BEAR SMART COMMUNITY FOR BIG SKY

Waste Management For a Bear Smart Community

Did you know that bear-human conflicts have more than tripled in Big Sky over the last decade? Unsecured trash is the #1 reason. What YOU do really matters! Become a Bear Smart residence by properly securing garbage and other attractants at your home. The Bear Smart Big Sky initiative is encouraging you, your friends and your neighbors to switch over to the Kodiak Bear-Resistant Trash Can.



What you need to know about the Kodiak Can:

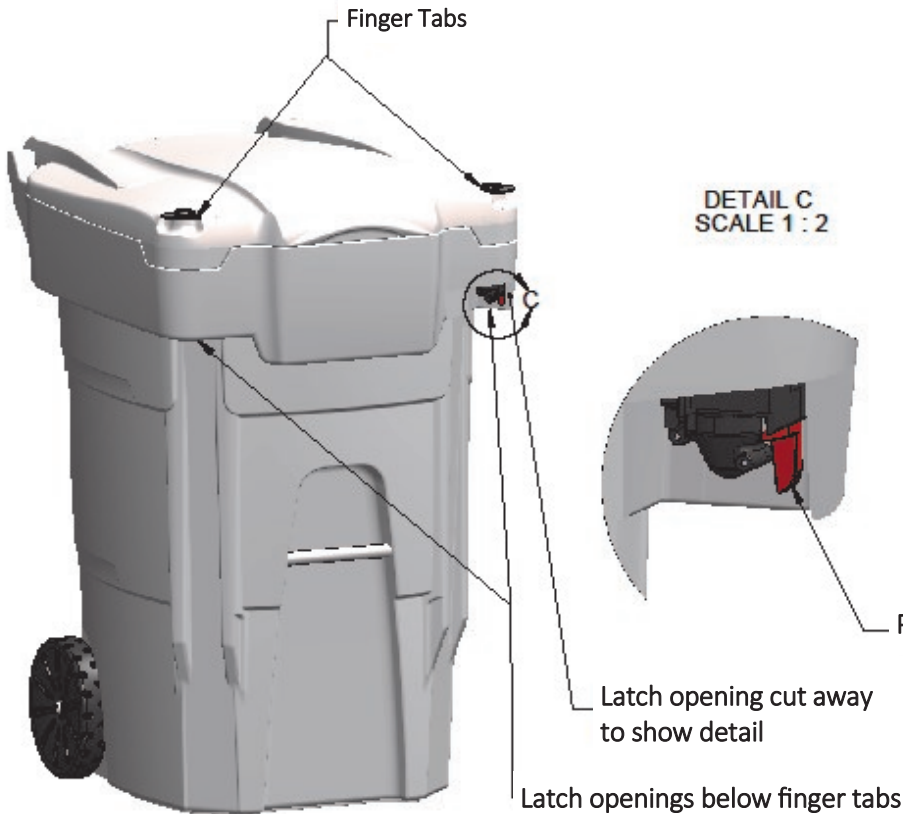
- ◆ Republic Services will swap out your old can with a new Kodiak Can on a regular trash day. The swap is a time consuming process, so if it runs late you should still put away your trash can at night.
- ◆ The BSOA, Town Center and Spanish Peaks Homeowners Associations require the use of animal proof garbage containers. Don't live in these HOAs? Don't worry!
- ◆ Cans are available to all who want to switch.
- ◆ If you are switching from a blue can, the Kodiak Can will cost an additional \$6.10 each month.
- ◆ The Kodiak Can may be somewhat human-proof at first. See our attached diagram for opening instructions!
- ◆ As with all bear-resistant products, it only works if you use it correctly. Remember to keep the lid closed and latched when not in use!

**Want to switch?
Call Republic
Services at
406-586-0606**

NEED ANOTHER REASON TO GO BEAR-RESISTANT?

Approximately 70% of Big Sky residents have bear-resistant garbage cans. Bear Smart Big Sky aims to reach 100% commitment because **without consistent use of bear-resistant trash cans bears will find that: The neighbors have better stuff.** Don't let your home be a weak point for bears.

Manual Opening Instructions



From the container front as shown, locate latch openings below finger tabs.

Inside opening find the manual open lever (shown in red for clarity).

Push the lever towards the container until it stops and release to unlock latch.

After both latches are unlocked the lid may be opened.

Opening and reclosing the lid will relock the latches automatically.

After moving the container to the roadside for refuse collection, check the lid to make sure it's locked. Rolling the container over rough surfaces may unlock the lid.

Kodiak Products 96 gallon waste container specifications

Height: 46.5 inches, Width: 29.0 inches, Depth: 37.2 inches

Maximum load is 300 pounds or 136 kilograms

Empty weight is 52 pounds assembled